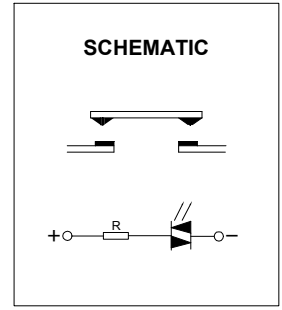
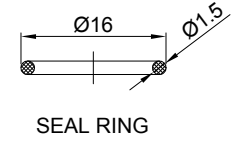
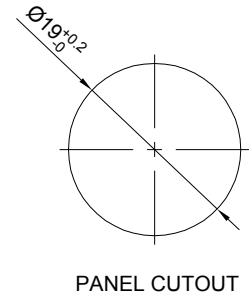
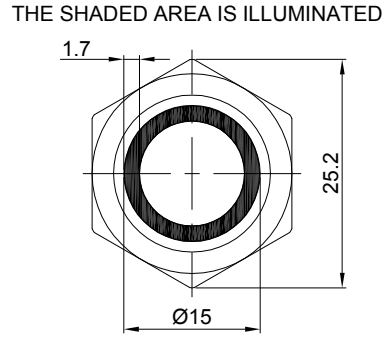
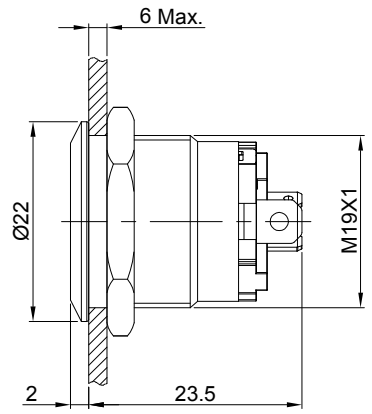
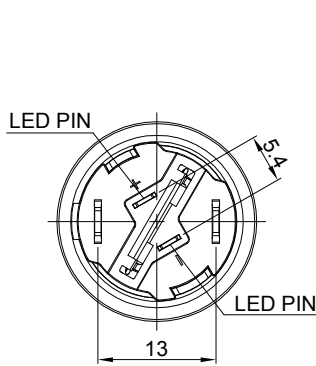


5	FOR 客户名称	6	APPROVED 客户确认签字	7	ATTN 销售负责人



PART NUMBER: ONPOW6219-10E/△/▲/S

"△"	LAMP COLOR	"▲"	LAMP VOLTAGE
R	RED	6V	AC/DC 6V
G	GREEN	12V	AC/DC 12V
Y	YELLOW	24V	AC/DC 24V
B	BLUE	OTHER VOLTAGE CAN BE MADE TO ORDER	
W	WHITE		

- SPECIFICATIONS:**
- SWITCH RATING: $U_i:250V, I_{th}:30A$.
 - MECHANICAL LIFE: $\geq 1,000,000$ cycles(MOMENTARY).
 - ELECTRICAL LIFE: $\geq 50,000$ cycles.
 - INITIAL CONTACT RESISTANCE: $\leq 50m\Omega$.
 - INSULATION RESISTANCE: $\geq 100M\Omega(500VDC)$.
 - DIELECTRIC STRENGTH: 1,500V, RMS 50HZ, 1min.
 - OPERATING TEMPERATURE: $-25^{\circ}C \sim +55^{\circ}C$ (NO FREEZING,KEEP THE AIR FLOWING AROUND PUSHBUTTON).
 - OPERATING FORCE: ABOUT 6N.
 - OPERATING TRAVEL: ABOUT 3.5mm.
 - TORQUE: ABOUT 0.6Nm MAX.APPLIED TO NUT.
 - FRONT PANEL PROTECTION DEGREE: IP40(IP67 CAN BE CUSTOMIZED),IK08.
 - TERMINAL TYPE: PIN TERMINAL(4.8 X 0.8mm), LED PIN(2.8 X 0.5mm).
 - GENERAL TOLERANCE:0-18mm ± 0.25 , 18-80mm ± 0.52 .

- MATERIALS:**
- CONTACT: SILVER ALLOY.
 - BUTTON: STAINLESS STEEL.
 - BODY: STAINLESS STEEL.
 - BASE: PA.

BRAND 品牌		红波按钮制造有限公司			
ONPOW 欧宝龙®		ONPOW PUSH BUTTON MANUFACTURE CO.,LTD.			
TITLE 名称	ONPOW62 SERIES ANTI-VANDAL PUSH BUTTON		UNIT 单位	mm	
DWG NO. 图号	ONPOW6219-E	SCALE 比例	1.2 : 1	SIZE 图纸	A4
FILE NAME 档案名称	ONPOW6219-E .DWG	DRAWN 制图	YDY 2022/06/17	SHEET 张	1/1
		REV. 更改	1		